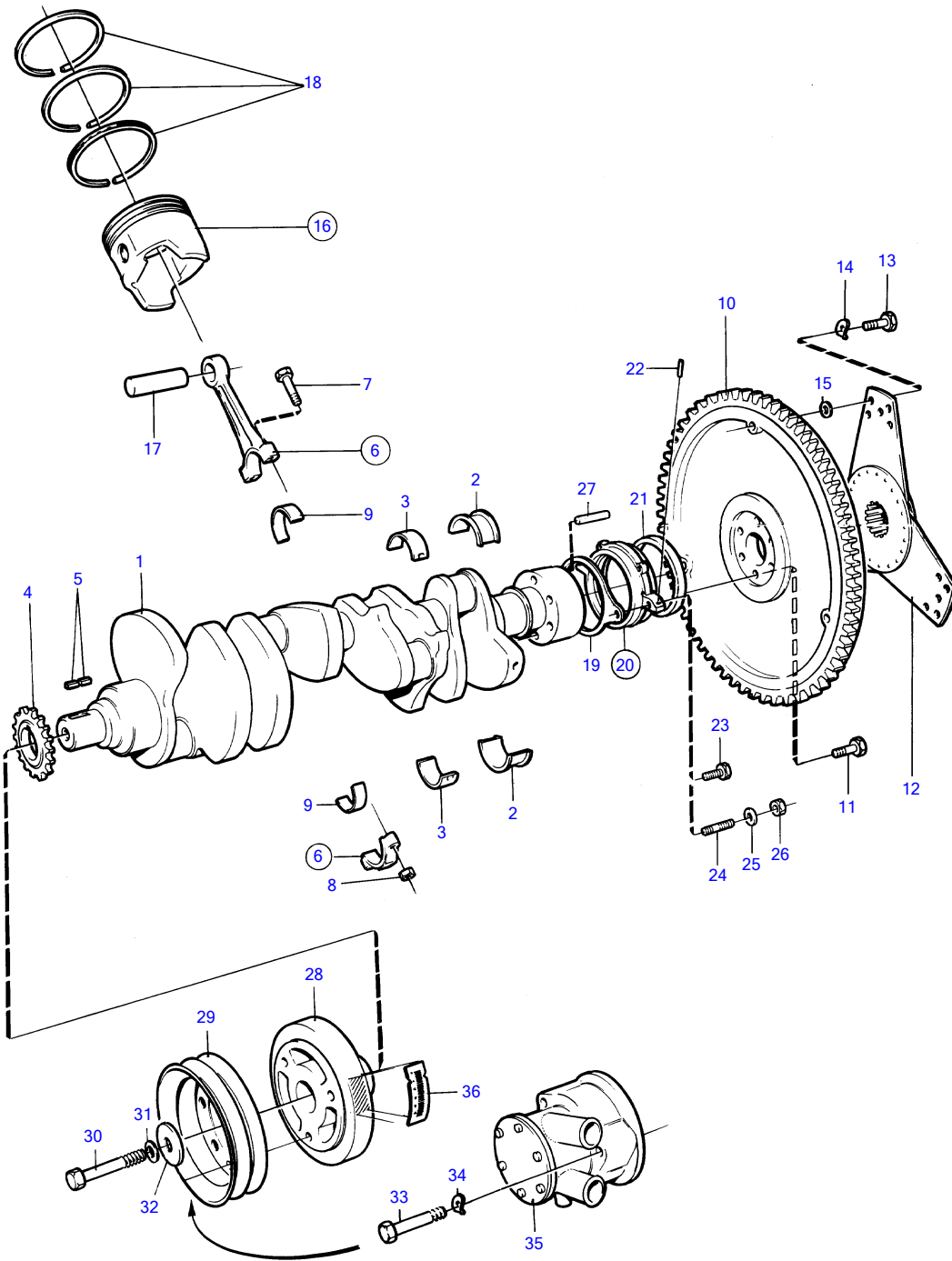


500B, 501B



10414

500B, 501B

| REF | PART NO. | QTY | DESCRIPTION | SEE SEC. | NOTES |
|-----|----------|-----|------------------------------------|----------|---|
| 1 | (855806) | 1 | Crankshaft | | Obsolete part |
| 2 | 856439 | 1 | Thrust bearing | | Std (835052) |
| | 856666 | 1 | Thrust bearing | | Under size 0,010" (83505) |
| | 856765 | 1 | Main bearing | | Under size 0,020" (83506) |
| 3 | 856739 | 6 | Main bearing | | Std (835051) |
| | 841254 | | • Main bearing, main bearing shell | | Std, Repl by 856739 Upper |
| | 841255 | | • Main bearing, main bearing shell | | Std, Repl by 856739 Lower |
| | 856342 | 6 | Main bearing | | Under size 0,010" (83505) |
| | 856764 | 6 | Main bearing | | Under size 0,020" (83505) |
| 4 | | 1 | sprocket | 12457 | |
| 5 | 835059 | 2 | Key | | |
| 6 | 841867 | 8 | Connecting rod | | |
| 7 | 835066 | 16 | • Screw | | |
| 8 | 835473 | 16 | • Nut | | |
| 9 | 856669 | 8 | Rod bearing | | Std (835273) |
| | 856740 | 8 | Main bearing | | Under size 0,010" (83539) |
| | 856738 | 8 | Rod bearing | | Under size 0,020" (83507) |
| 10 | 855814 | 1 | Flywheel | | For 500B SN-4100133752., For 501B SN-4100135022. |
| | 857223 | 1 | Flywheel | | For 500B SN 4100133753-, For 501B SN 4100135023- |
| 11 | 835439 | 6 | Screw | | |
| 12 | 855694 | 1 | Absorber | | For 500B SN-4100133752., For 501B SN-4100135022. |
| | 855656 | 1 | Oscillation damper | | Obsolete part, For 500B SN 4100133753-, For 501B SN 4100135023- |
| 13 | 835482 | 3 | Screw | | |
| 14 | 942336 | 3 | Spring washer | | |
| 15 | 940097 | 3 | Washer | | |
| 16 | 856061 | 8 | Piston | | Std |
| | 856062 | 8 | Piston | | Std, Repl by 856061 |
| | 856063 | 8 | Piston | | Over size 0,030" |
| 17 | | 8 | • gudgeon pin | | |
| 18 | 826469 | 8 | Piston ring kit | | Incl.in cylinderblock., Std |
| | 826470 | 8 | Piston ring kit | | Over size 0,030" |
| 19 | 855810 | 1 | Gasket | | |
| 20 | 855907 | 1 | Retainer | | (855807) |
| 21 | 855809 | 1 | • Crankshaft seal | | |
| 22 | 855808 | 2 | • Stud | | |
| 23 | 855811 | 2 | Screw | | L=20mm |
| | 855812 | 1 | Screw | | |
| 24 | 855813 | 1 | Stud | | |
| 25 | 955893 | 1 | Washer | | |
| 26 | 955825 | 1 | Hexagon nut | | |
| 27 | 835057 | 1 | Pin | | |
| 28 | 856420 | 1 | Vibration damper | | (826477) |
| 29 | 835407 | 1 | Pulley | | |
| 30 | 949518 | 1 | Hexagon screw | | |
| 31 | (835410) | 1 | Lock washer | | Obsolete part |
| 32 | 835409 | 1 | Washer | | |
| 33 | 948324 | 3 | Hex. socket screw | | |
| 34 | 942336 | 3 | Spring washer | | |
| 35 | | 1 | sea water pump | | See group 2B |
| 36 | (856017) | 1 | Decal | | Obsolete part |

7736260-21-12450

10414

Upd:2014-10-28